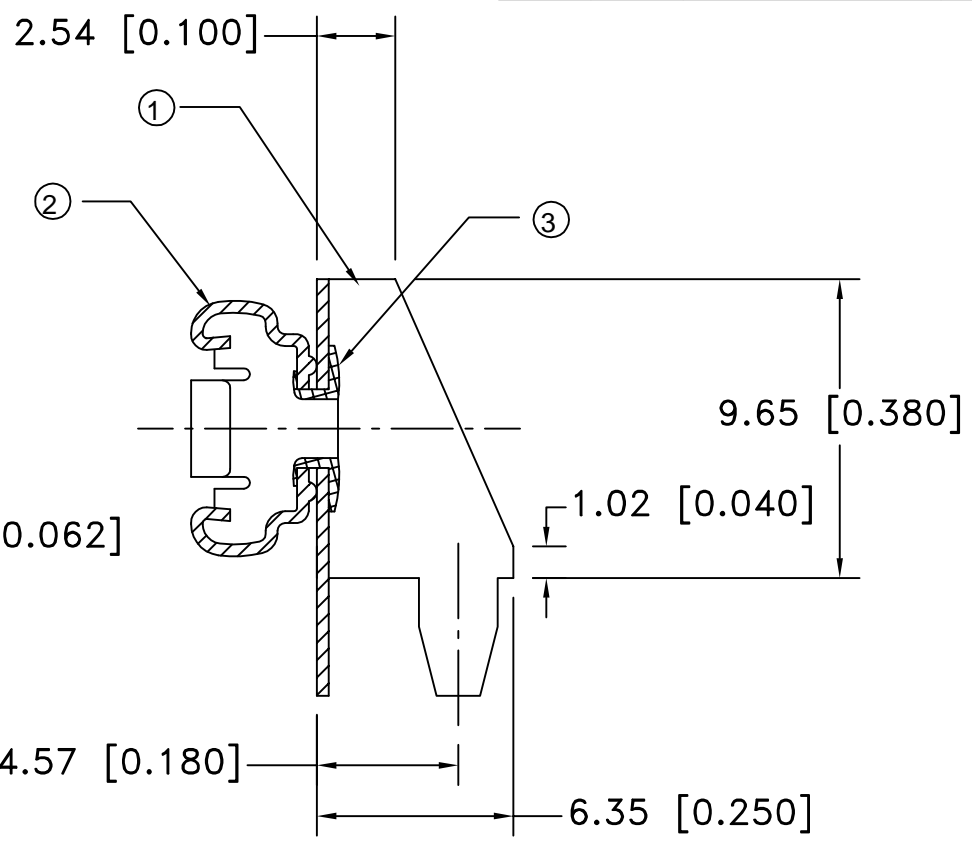
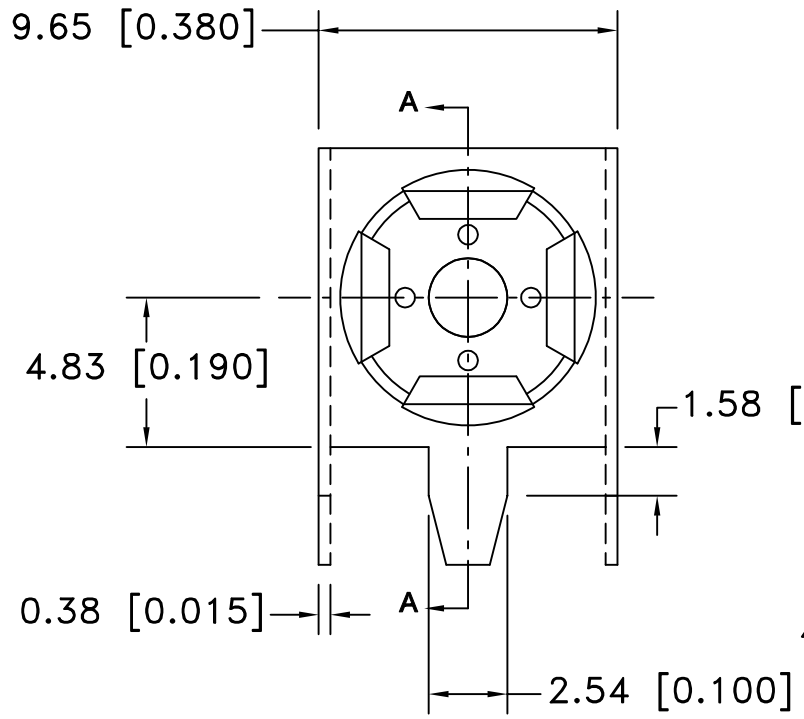


PCB LAYOUT



Date	SYM	REVISION RECORD	AUTH	DR.	CK.
5/26/07	A	ADDED "ROHS COMPLIANT"	T.B.	B.S.	

N0.	PART NO.	PART NAME	MATERIAL	QTY.
1		FRAME	STEEL-TIN PLTD	1
2	BSF-HD	FEMALE SNAP	BRASS, NICKLE PLATED	1
3	BSR	RIVET	BRASS NICKLE PLATED	1

<p>Tolerance (Except as noted)</p> <p>decimal ±.5 (.020)</p> <p>Fractional ± .8 (.030)</p> <p>Angular ± 3°</p>	<p>Memory Protection Devices, Inc</p> <p>200 Broad Hollow Road, Farmingdale, New York 11735</p>	
	Scale	Drawn By B.S.
	Approved By T.B.	
Title		9 VOLT FEMALE PRINTED CIRCUIT SNAP-ONS
Date	5/26/07	Drawing Number BSPCF

ROHS COMPLIANT